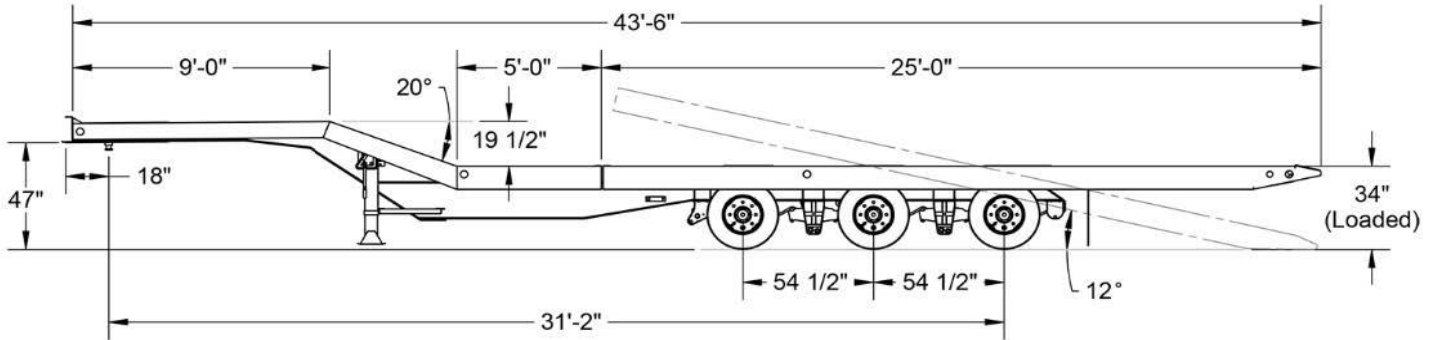




OSW Equipment & Repair, LLC

70K Tilt Deck



Length:	43' 6" Overall Length - 9' Upper, 49" Fifth Wheel Height, 20° Neck, 5' Fixed Deck, 25' Tilt Deck		
Width:	102" Deck Width		
OSW 2020 70K Tilt Deck Tra 34" Loaded			
GVWR	84,480 lbs.		
Trailer Weight:	15,080 lbs.		
Capacity:	67,400 lbs.		
Hitch Type	King Pin type 150,000 PSI ultimate strength, 115,000 yield		
Decking:	2" Apitong in Outer Deck (High Traffic area's) No. 1 Gr. Fir in Center & Fixed Deck		
Cushion Cylinder	2 ea. 4" x 14" with metered flow to cushion loading and unloading		
Deck Latch	Over-center type with tension adjustment		
Suspension:	Hutch H-9700 Spring with 54.5" Spread		
Axles:	(3) - 22,500 lb. 71.5" Track Axles		
Brakes	12 1/4" x 7 1/2"- air brakes with spring brakes all axles, auto slacks, 2S/2M ABS		
Wheels:	17.5" x 6.75" Uni-mount 8 on 275mm bolt circle		
Tires:	215/75R 17.5 radial load range H		
Landing Gear:	2 Speed 70,000 lb., 100,000 lb. static load		
Load Securement	28 ea. Stake Pocket/Chain Slot (14) - Per Side		
Storage:	2 ea. Lockable Storage in Upper Deck		
Paint:	OSW Silver, Black, or White		

All OSW Specifications Will Be STANDARD Build, Unless Stated Above or NOTED in Received "Printed Specification Sheet." Items Involving Engineering Will Require Longer Build Time.

See Available Options & Accessories next Page

