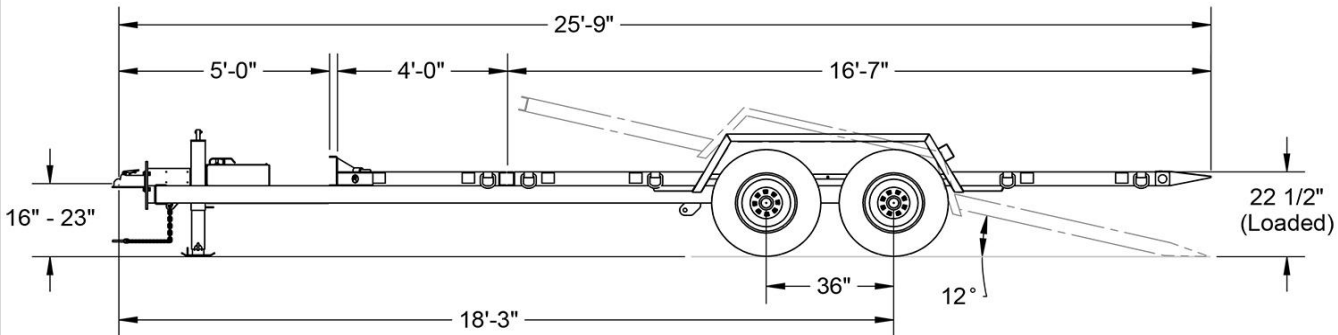




# OSW Equipment & Repair, LLC

## 12K Utility Tilt Deck



Length:	Overall Length - 5' Tongue - 4' Fixed Deck & 16' 7" Tilt Deck		
Width:	102" Overall - 82" Between Fenders		
Deck Height	22 1/2" Loaded		
GVWR	15,680 lbs.		
Capacity:	12,040 lbs.		
Trailer Weight:	3,640 lbs.		
Hitch Type	2 5/16" Coupler 5,000 lb. Capacity		
Safety Chains	2 ea. 3/8" x 36" Grade 70		
Decking:	2" No. 1 Grade Number 1 Grade Fir		
Cushion Cylinder	3" x 8" with Internal metered flow to cushion loading & unloading		
Deck Latch	Over-Center type with tension adjustment		
Suspension	Rubber Torsion		
Axles:	(2) - 7,000 lb. Capacity		
Wheels:	16" x 6" 8 hole Disc 6.5 Bolt Circle		
Tires:	235/80R 16 Radial Load Range €		
Landing Gear:	10,000 lb. Capacity with Drop Foot		
D-Rings	(12) - 6 Per Side 5/8" D-Ring		
Stake Pockets	(12) - 6 Per Side Stake Pocket		
Storage:	Lockable Tool Box and Tool Tray in Tongue area		
Paint:	OSW Silver, Black or White		
<b>All OSW Specifications will be Standard Build, unless Stated above or Noted in Received Specification Sheet. Items involving Engineering may Require longer build time at a cost per hour plus Materials</b>			

See Available Options & Accessories next Page

### Options & Accessories



# OSW Equipment & Repair, LLC

## 12K Utility Tilt Deck

	12" Maximum Crossmember Spacing		
	Lunette Eye		
	Custom Paint (Category 2)		
	Custom Detail (Category 2)		
	Goodyear G 614 14 Ply Tires		
	Spare Tire		
	Spare Tire Carrier		
	Oak Deck		
	Hubometer		
	Certify at 9990 GVWR		
	Chock Blocks		
	Extra D-Rings (ea.)		
	Extra Stake Pockets (Ea.)		

Additional Notes:
